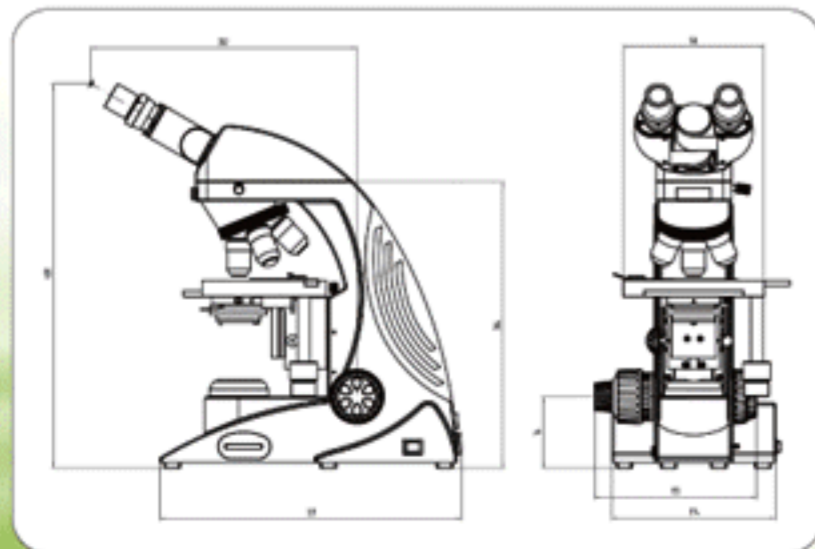


● BS Series Microscope Specification

| SPECIFICATION | | MODEL |
|-----------------------------|--|-------|
| PARTS | DESCRIPTIONS | BS200 |
| Eyepiece | PL10X/18mm | ●● |
| | WF10X/18mm | ○○ |
| | WF10X/18mm with micrometer | ○ |
| | WF10X/18mm with reticle | ○ |
| | WF15X/14mm | ○○ |
| | WF16X/13mm | ○○ |
| | PL10X/20mm | ○○ |
| Objective (Anti-mold) | Plan Achromatic Objectives 4X, 10X, 40X(S), 100X(S, Oil) | ● |
| | Infinity plan Achromatic Objectives 4X, 10X, 20X, 40X(S), 100X(S, Oil) | ○ |
| | High quality Achromatic Objectives 4X, 10X, 40X(S), 100X(S, Oil) | ○ |
| Head | Gemel Binocular Head ,30°inclined | ● |
| | Gemel Trinocular Head ,30°inclined | ○ |
| | Gemel Binocular Head ,30°inclined (Infinity) | ○ |
| | Gemel Trinocular Head ,30°inclined (Infinity) | ○ |
| Nosepiece | Reversed Quadruple Nosepiece | ● |
| | Reversed Quintuple Nosepiece | ○ |
| Condenser | N.A1.25 abbe achromatic condenser with iris diaphragm and filter holder | ● |
| Focus | Low position coaxial coarse and fine adjustment, focus range:28mm, precision:0.002mm | ● |
| Stage | 150x132mm mechanical stage, moving range:76x50mm | ● |
| | 140x132mm mechanical stage, moving range:76x50mm | ○ |
| Illuminator | Adopt variable voltage (90V-240V), 6V/20W halogen bulb, with adjustable brightness, | ● |
| | Ultra-high brightness single LED cold light source | ○ |
| Collector system | Critical illumination system | ● |
| | Koehler illumination system | ○ |
| Filter | Yellow filter (45) | ○ |
| | Green filter (45) | ○ |
| | Blue filter (45) | ● |
| | Neutral filter (45) | ○ |
| Photo mount adapter | 3.2x Photo eyepiece ,photo tube(PK or MD mount) | ○ |
| Digital photo mount adapter | C-mount and adapter | ○ |
| TV adapter | 0.5X photography tube (with C-mout) | ○ |
| | 0.35X photography tube (with C-mout) | ○ |

● Standard specification ○ Optional parts



WWW.SUNNYOPTICAL.COM NINGBO SUNNY INSTRUMENTS CO.,LTD.

Add: 66-68 Shunyu Rd., Yuyao, Zhejiang
315400 China
Tel : 0086-574-62530024
Fax : 0086-574-62530066
E-mail : sales@sunnyoptical.com



SUNNY
NINGBO SUNNY
INSTRUMENTS CO.,LTD

**BS Series Biological
Microscope**



BS200



As technical improvement, manufacturer has right to make renovation in designing without notice

- Color corrected optical system
- International popular and newly structure design
- High resolution and excellent image
- Complete optional accessories

BS Series Biological Microscope

Excellent optical system and new structure design, better image resolution and quality, best choice for teaching experiment, medical test and research.



- Color Corrected Infinity/Finity Optical System
- Plan Achromatic Objectives with better image resolution and quality
- The condenser meet the illumination demands of various objectives.
- Comfortably operate with the new surface and structural design
- Damped double clips enable to protect the slide
- Wide focusing range meet the demands of user.
- Adaptive wide-voltage design, protect effectively and extend the life of halogen bulb

BS Series Biological Microscope Technical Parameter

| | |
|-----------------------|--|
| Optical System | Color Corrected Infinity Optical System; Color Corrected finity Optical System |
| Head | Gemel Binocular Head, 30° Option: Gemel binocular/ trinocular Head, 30° inclined |
| Nosepiece | Reversed Quadruple/Quintuple Nosepiece |
| Objective (Anti-mold) | High Contrast Achromatic Objectives 4X, 10X, 40X(S), 100X(S. Oil) Plan Achromatic Objectives 4X, 10X, 40X(S), 100X(S. Oil) Infinity Plan Achromatic Objectives 4X, 10X, 20X(Option), 40X(s), 100X(s. Oil) |
| Focus | Coaxial coarse and fine adjustment, With coarse adjustment stop and tightness adjustment, Range: 28mm. Precision: 0.002mm |
| Stage | Mechanical Stage With Low Position Coaxial Controls Size: 150mmX140mm or 140mmX132mm Moving Range: 76mmX50mm |
| Condenser | N.A.1.25 abbe achromatic condenser with iris diaphragm and filter holder |
| Illuminator | Adopt variable voltage(90V-240V), 6V/20W halogen bulb, with continuous intensity control, drawer-type lamp holder, Option: Ultra-high brightness single LED cold light source, Critical illumination system; Koehler illumination system |
| Photo mount adapter | 3.2X Photo eyepiece, photo tube (PK or MD mount) C-mount and adapter |
| TV adapter | 0.35X photography tube (with C-mount); 0.5X photography tube (with C-mount) |

● Eyepiece

- New high-point plan eyepiece PL10X18mm
- More comfortable, observe conveniently with glasses
- Many kinds of micrometer and pointer for option to install



| | | | | | |
|----------|----------|----------|----------|----------|----------|
| Eyepiece | PL10X/18 | PL10X/20 | WF10X/18 | WF15X/14 | WF16X/13 |
| Filed | 18mm | 20mm | 18mm | 14 mm | 13mm |
| Remark | Standard | Option | Option | Option | Option |

● Objective

- Infinity/Finity achromatic correction objectives make image clearly
- Some Kinds of phase contrast objectives for option
- All objectives through particularly processing, great effective anti-mold. And long life
- service time to ensure long-term clearly image

| Item | Magnification | N.A | Working distance | Conjugate distance |
|-------------------------------------|------------------------------------|------|------------------|--------------------|
| Infinity plan achromatic objectives | 4X | 0.10 | 18.60 | ∞ |
| | 10X | 0.25 | 16.70 | ∞ |
| | 20X | 0.45 | 1.50 | ∞ |
| | 40XS | 0.65 | 0.72 | ∞ |
| | 100XS(Oil) | 1.25 | 0.18 | ∞ |
| Plan achromatic objectives | 4X | 0.10 | 17.91 | 195 |
| | 10X | 0.25 | 6.40 | 195 |
| | 40XS | 0.65 | 0.65 | 195 |
| | 100XS(Oil) | 1.25 | 0.16 | 195 |
| | High quality achromatic objectives | 4X | 0.10 | 21.50 |
| 10X | | 0.25 | 6.30 | 195 |
| 40XS | | 0.65 | 0.48 | 195 |
| 100XS(Oil) | | 1.25 | 0.15 | 195 |

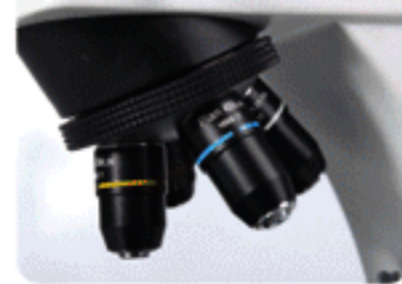


● Viewing Head



- Gemel viewing head, 30° inclined, 360° rotatable
- Inter-pupillary range (54—75mm), without compensator
- Diopter adjustment (±5)

● Nosepiece



- Reversed quadruple nosepiece (Quintuple for option)
- Easy to install and operate objectives
- High-precision manufacturing to ensure the system focusing

● Stage



- Mechanical stage Low position coaxial regulating handles
- Size: 150x140mm or 140x132mm Moving range: 76x50mm Precision: 0.1mm
- Damping slice clip, can two slices
- Particular processing, effective corrosion-resistant

● Focus system



- Coaxial coarse and fine adjustment
- Low position design, comfortable operation
- Focus range: 28mm Focus precision: 0.002mm

● Illuminator



- Drawer-type lamp holder
- Critical illumination system/ Koehler illumination system
- Adopt variable voltage (90V-240V), 6V/20W halogen bulb
- With continuous intensity control to provide full and uniform illumination for various objective
- Option: Ultra-high brightness single LED cold light source long working life

Drawer-type lamp holder

● Configuration Chart

