

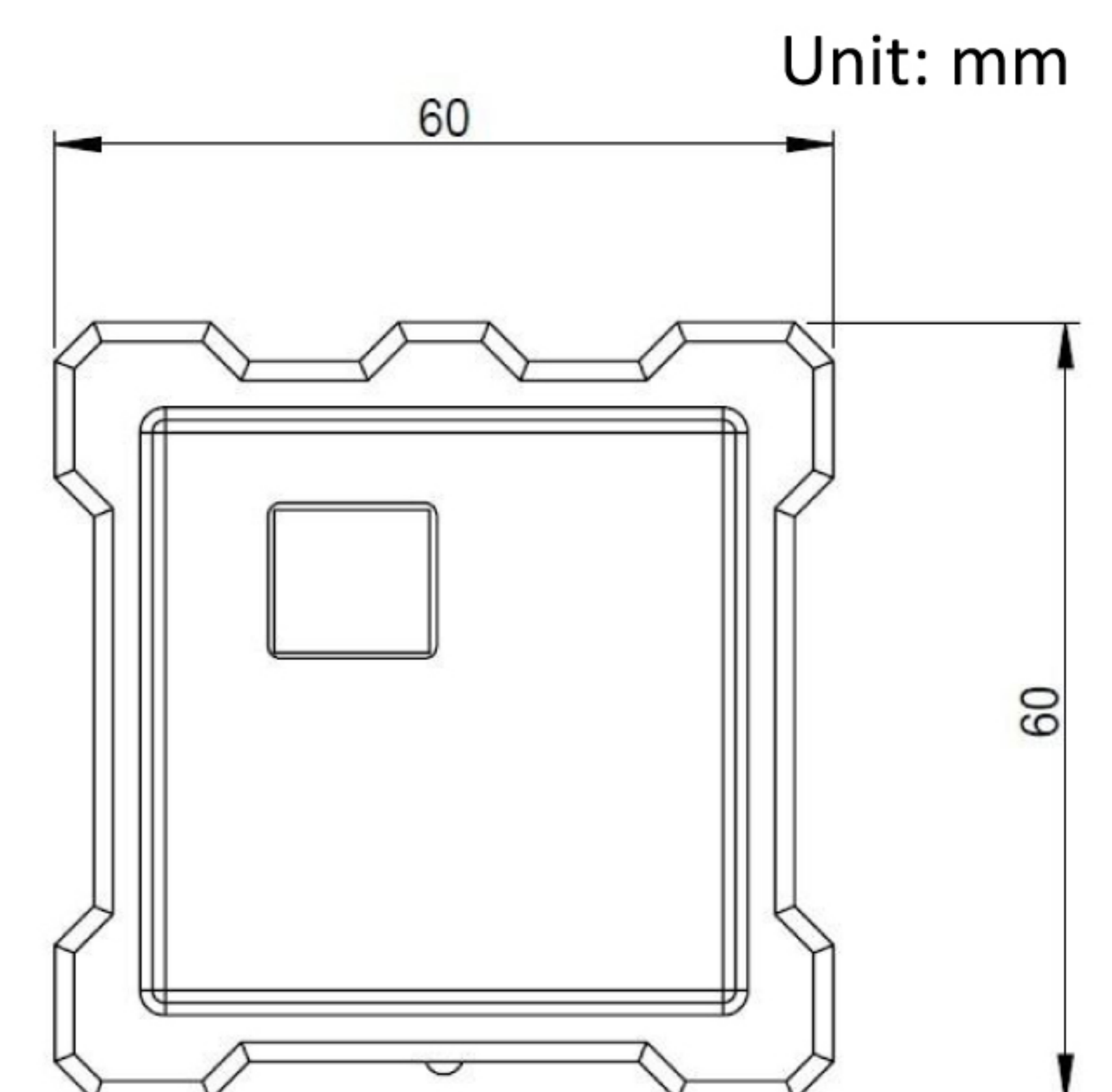
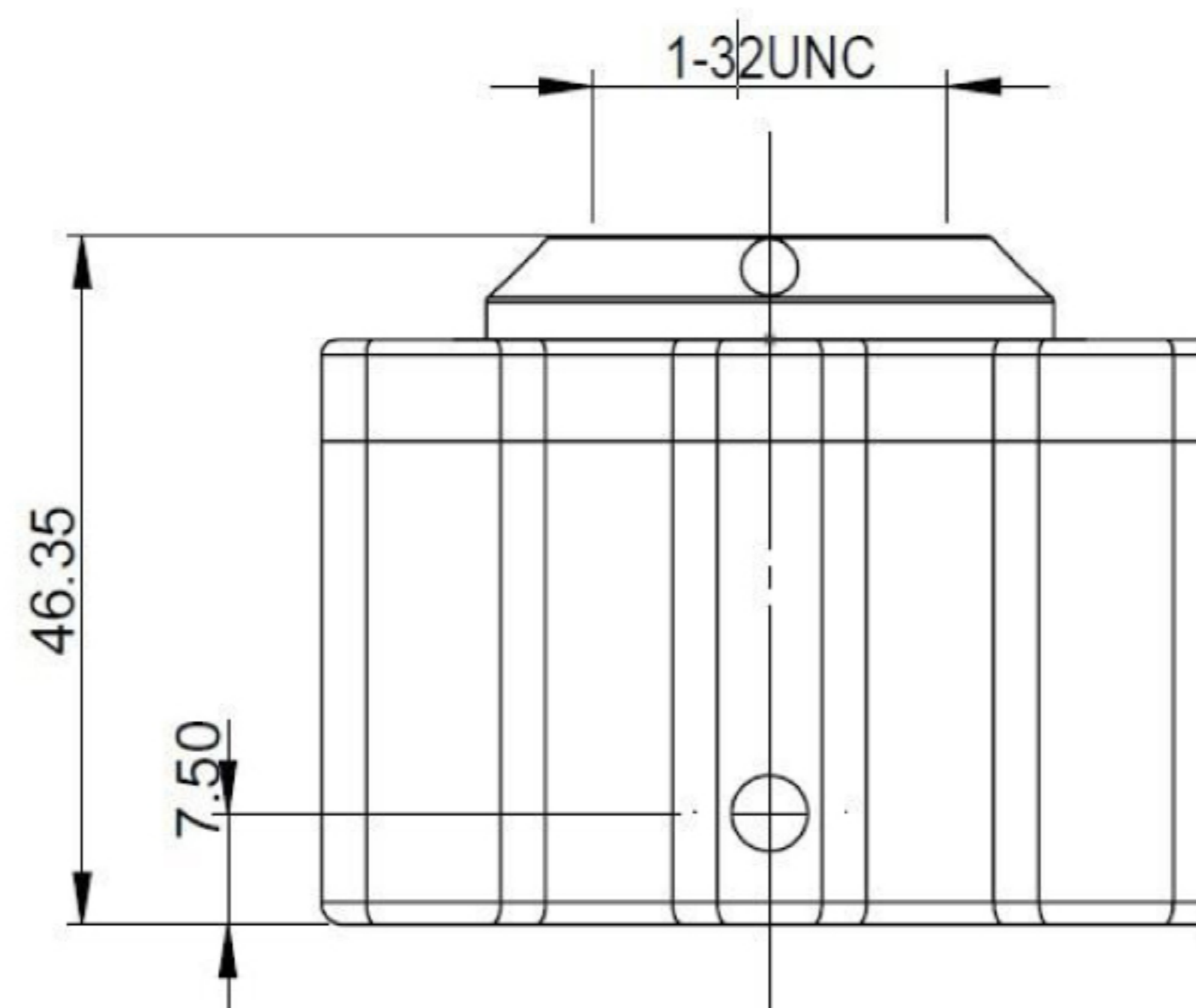
# USB2.0 Camera Series

Digital CCD/CMOS Camera for Microscopy

## NAHWOO Digital Camera Specification

Model	MDX300	MDX500	MDX1000	MDX300S
Sensor	1/2" Micron Aptina CMOS	1/2.5 Micron Aptina CMOS	1/2.3 Micron Aptina CMOS	1/2" Sony ICX205 CCD
Scan mode	Progressive scan			
Sensor resolution	2048x1536	2592x1944	3664x2748	2048x1536
Pixel size	3.2µm x 3.2µm	2.2µm x 2.2µm	1.67µm x 1.67µm	1.4µm x 1.4µm
Color/ Mono	color	color	color	color
A/ D conversion	10bit	12bit	10bit	12bit
Dynamic range	43 dB	41 dB	>63 dB	65.3 dB
Exposure time	6 ms – 650 ms	0.5 ms – 40 min.	10µs–32ms	6 ms – 650 ms
Analog gain	×1/8 ~ ×8(step=0.125)	×1/8 ~ ×8(step=0.125)	×1/8 ~ ×8(step=0.125)	×1/8 ~ ×8(step=0.125)
Max. frame rate	48fps@640x480	23fps@640x480	23fps@1280x960	48fps@640x480
Max. Resolution	11fps@2048x1536	6fps@2592x1944	3.3fps@3664x2748	11fps@2048x1536
Read out noise	12 e-	8 e-	8 e-	12 e-
Optical interface	C/CS mount			
IR cut-off filter	integrated in C-mount			
Voltage supply	USB 2.0 powered			
Power consumption	approx. 2W	approx. 2W	approx. 2W	approx. 2W
Ambient condition	-30°C ~ 70°C			
Storage condition	-30°C ~ 70°C			
Dimensions	60mm X 60mm X 46mm			
Weight	Approx. 240g			
Software	iWorks Viewer 1.0			
SDK	available			
Operation System	Win2000/WinXP/Vista/Windows 7 (32bit/64bit)			

### Product Dimensions



**NAHWOO**  
trading