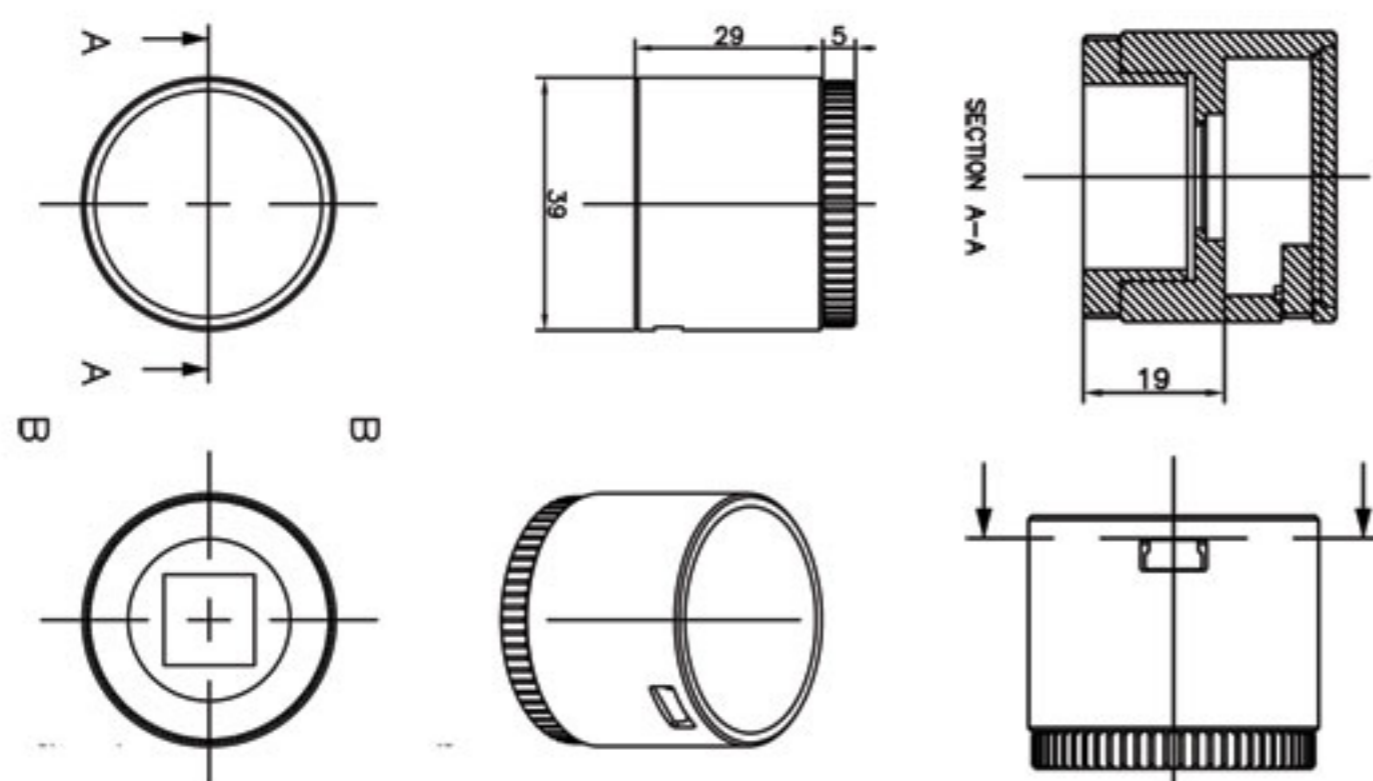


SUNNY Digital Microscope Camera D-201

New release SUNNY D-201 Digital CMOS Color Camera offer excellent sensitivity and high resolution. Uncompressed images in live streaming video and still-image capture are provided across a USB2.0 digital interface.

Item	Sunny D-201	
Sensor	2.0M Pixel 1/3.2" Progressive Scan	
Pixel size	2.8 x 2.8um	
Active imager size	4.73 x 3.52mm	
Shutter Type	Electronic rolling shutter (ERS)	
ISP	Hardwired ISP Support	
Frame Rate	15fps at full resolution (4~6fps, transmission frames) Max 30fps at VGA resolution, with binning	
Recording size	1600x1200, 1280x960, 1280x720(HD), 800x600, 640x480, 320x240	
Output Data format	YUV 4:2:2, 8bit data	
Image Control	Brightness control, Saturation, Shading, Gamma correction, Contrast	
White balance	Auto, 6500K, 5500K, 4500K, 2800K, Lock RGB gain control	
Exposure	Auto, Manual setting (Lock)	
	Sutter speed	User setting, Frame fix (30fps)
	Gain	User setting
Flicker	Auto, 60Hz, 50Hz, Manual setting	
Image mode	Backlight, Flip, Mirror, Privacy	
Effect	Normal, Mono, Sepia, Negative	
User setting	Save & load support	
Lens Mount	C Mount(Ø25.4mm)	
OS & Support PC	USB 2.0 Driver for operating systems : Windows XP/embedded XP, Vista/embedded Vista Microsoft WHQL compliance More than Pentium4 1.7GHz, Memory size more than 512Mbyte	
Consumption	UXGA @205mW, VGA 30fps @280mW	
Temperature	Operating -20°C ~ +60°C Storage -30°C ~ +80°C	
Size & Weight	104.5 x 79 x 56.4mm / 545g(less than)	

Outline Drawing



- 2.0 Mega Pixel Resolution
- High-Speed USB2.0 Type
- Combined Design with SUNNY
- Viewer Software Included.